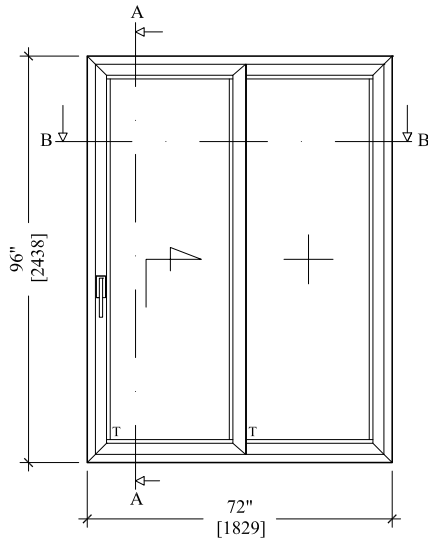


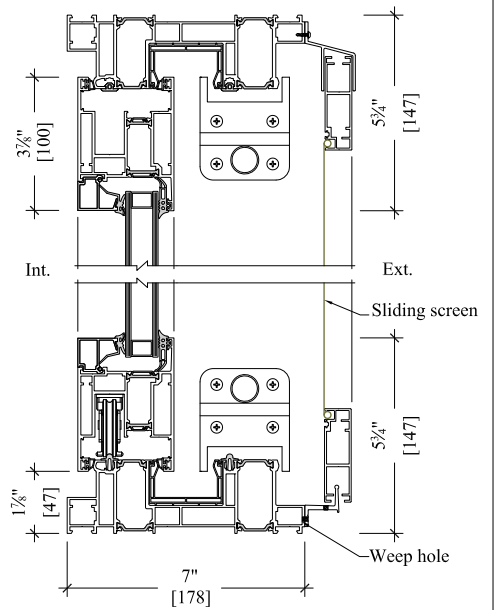
# ALX170

## ALX 170 SLIDING DOOR

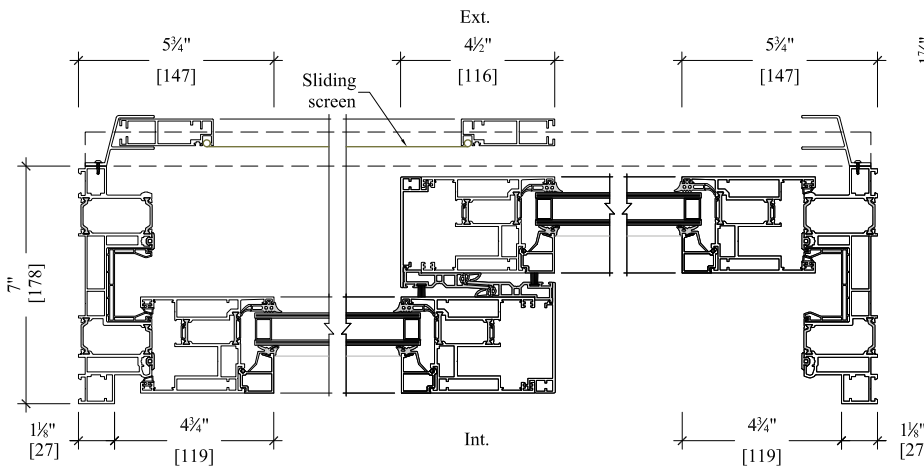


Alx 170  
 Lift and Slide Door  
 7" Box

**INTERIOR VIEW**



Section A-A



**T: Tempered glass**

**ALUMILEX** [www.alumilex.com](http://www.alumilex.com)  
 ARCHITECTURAL ALUMINIUM SYSTEMS  
 3425, Boul. Industriel, Montreal (Qc) H1H 5N6  
 TEL : 1-866-(514) 955-4135 FAX: (514) 955-4131  
 DRAWN BY / DESSINE PAR : D.L. Email: info@alumilex.com

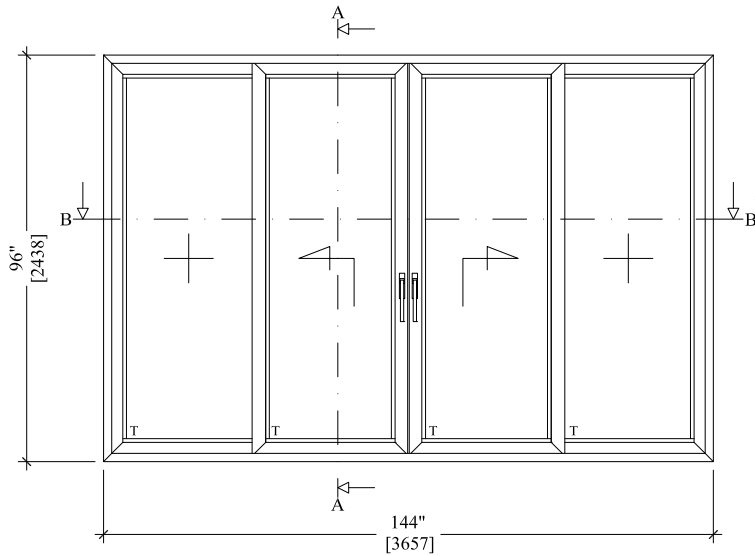
Porte coulissante — Sliding door



# ALX170

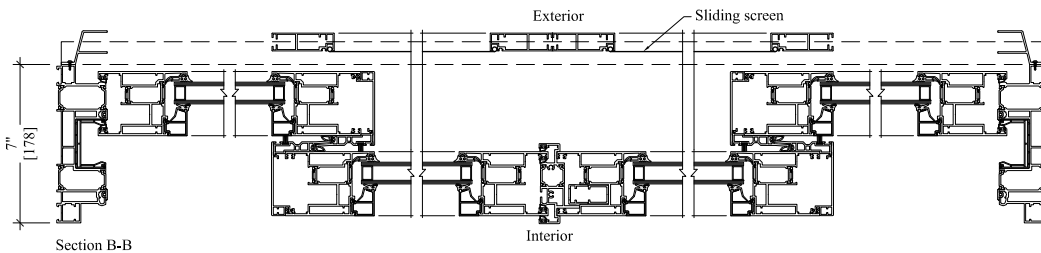
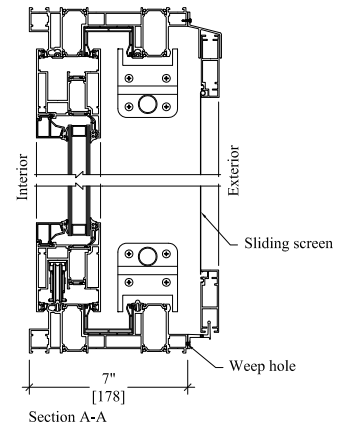
## ALX 170

Lift and Slide 4 Panels Detail



Alx 170  
Lift and Slide Door  
7" Box  
I.G.U. double glass

**INTERIOR VIEW**



**T : Tempered glass**

**ALUMILEX** [www.alumilex.com](http://www.alumilex.com)  
ARCHITECTURAL ALUMINIUM SYSTEMS  
3425, Bldg. Industrielle, Montreal (Qc) H1H 9N9  
TEL : 1-866-(514) 955-4135 FAX : (514) 955-4131  
Email : [info@alumilex.com](mailto:info@alumilex.com)

4 panneaux — 4 pannels

